

# SLD & SLD DuoDim Mini Series



## Overview

The interVOLT range of SLD electronic DC lighting dimmers provide an excellent solution for the dimming of conventional (filament) lamps as well as compatible LED devices. The dimming of onboard lighting in boats, RVs, caravans and coaches at an affordable price has always been an issue. The SLD Series overcomes this with a feature packed design, not only presenting great value, but ensuring reliability, longevity and safety.

The SLD range of dimmers include single and two channel versions all housed in interVOLT's unique Mini Series enclosures which are not only stylish but compact, efficient and installer friendly. The single channel range can be paralleled to increase load capability and controlled from a single momentary switch. A selector switch allows the first dimmer to act as the master device with any subsequent dimmer connected as a slave.

The innovative DuoDim model is a true two channel dimmer with separate control and monitoring for each circuit which can also be combined (grouped) to form a single circuit dimmer if required. The DuoDim enables two lighting circuits to be separately controlled from one device, for example ceiling lights and reading lights can be separately switched and dimmed from one convenient source.

## Features

- Heavy duty design for switching high power DC lighting loads.
- Available in both single and dual channel models up to 500W.
- All models are universal voltage input suitable for 12 or 24VDC.
- Soft start control reduces in-rush current and extends bulb life.
- Built in memory retains previous setting for comfort and ambience.
- Special LED diagnostic indicator to assist with troubleshooting.
- Full electronic protection to ensure both longevity and safety.
- Protection - Dimmers protect the electronics from various problems.
- Automatically dims load to 50% if the device should overheat.
- Single channel models can be paralleled to increase load rating.
- Dual channel model can be 'GROUPED' for single channel use.
- 24 months warranty (subject to policy terms and conditions).

## Lighting Dimmers

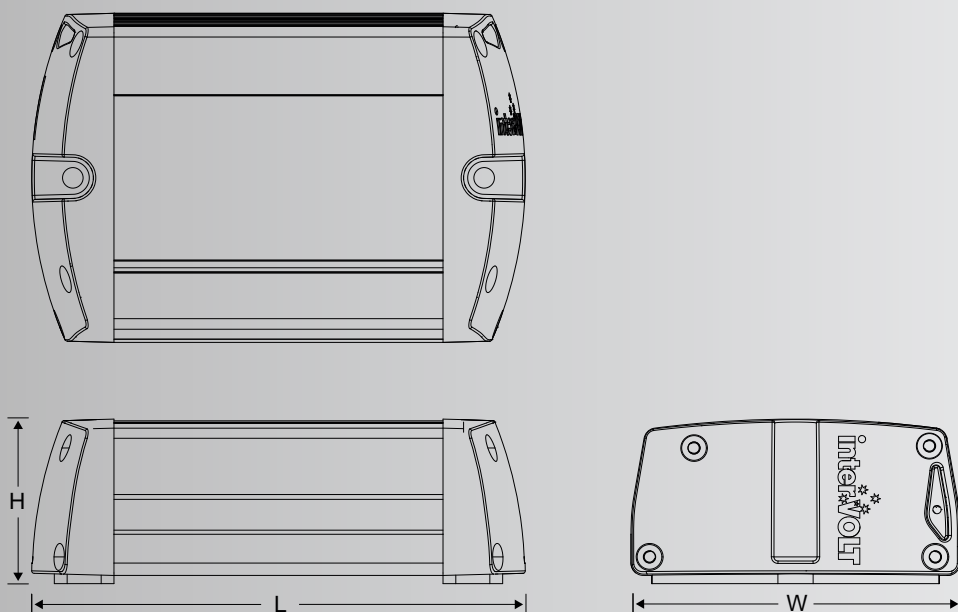
*“interVOLT's unique Mini Series - single and two channel versions are not only stylish but compact, efficient and installer friendly”*



### Models

MODEL	INPUT VOLTAGE	12V NOM. POWER RATING	24V NOM. POWER RATING
SLD2040DC	9 – 33VDC	200 Watts @ 13.0VDC	400 Watts @ 26.0VDC
SLD2550DC	9 – 33VDC	250 Watts @ 13.0VDC	500 Watts @ 26.0VDC
SLD2040DD	9 – 33VDC	200 Watts @ 13.0VDC	400 Watts @ 26.0VDC

### Dimensions



	SLD2040DC	SLD2550DC	SLD2040DD
<b>Length</b>	120mm	170mm	145mm
<b>Width</b>	80mm	80mm	80mm
<b>Height</b>	40mm	40mm	40mm
<b>Weight</b>	250 grams	350 grams	300 grams